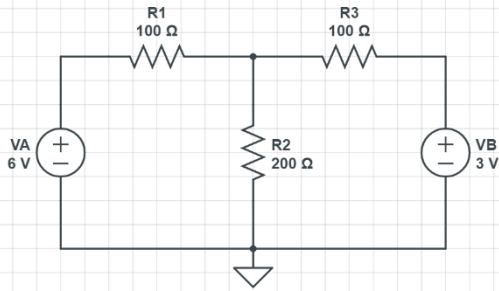
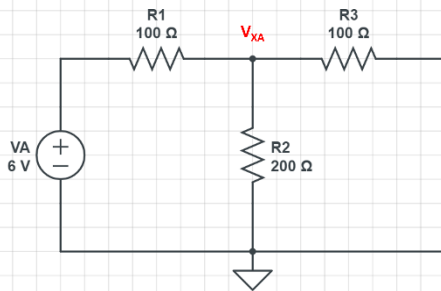


1. Original circuit



Consider only VA



$$\frac{6 - V_{XA}}{100} = \frac{V_{XA}}{200} + \frac{V_{XA}}{100}$$

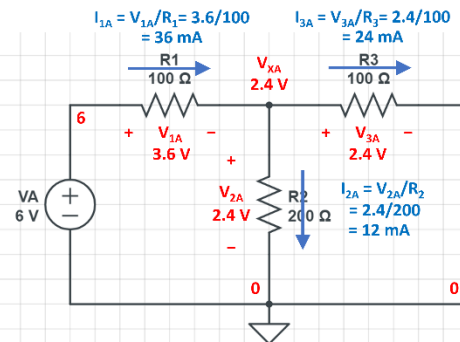
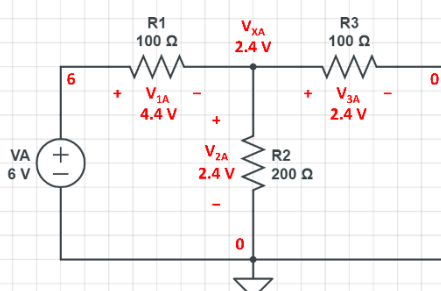
$$\frac{6 - V_{XA}}{1} = \frac{V_{XA}}{2} + \frac{V_{XA}}{1}$$

$$6 - V_{XA} = 0.5V_{XA} + V_{XA}$$

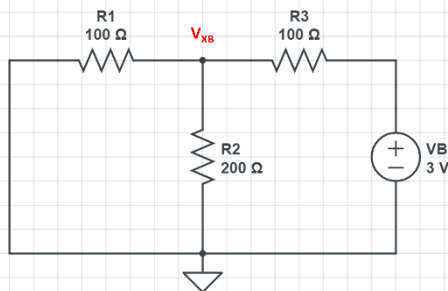
$$6 = 0.5V_{XA} + V_{XA} + V_{XA}$$

$$6 = 2.5V_{XA}$$

$$V_{XA} = \frac{6}{2.5} = 2.4 \text{ V}$$



Consider only VB



$$\frac{3 - V_{XB}}{100} = \frac{V_{XB}}{200} + \frac{V_{XB}}{100}$$

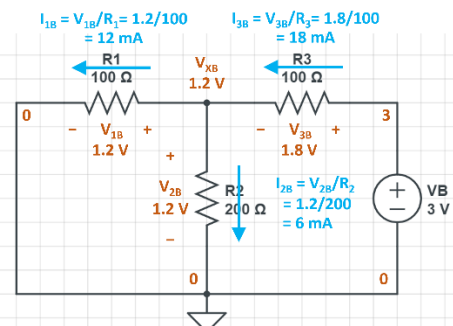
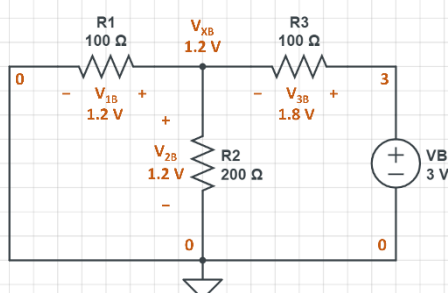
$$\frac{3 - V_{XB}}{1} = \frac{V_{XB}}{2} + \frac{V_{XB}}{1}$$

$$3 - V_{XB} = 0.5V_{XB} + V_{XB}$$

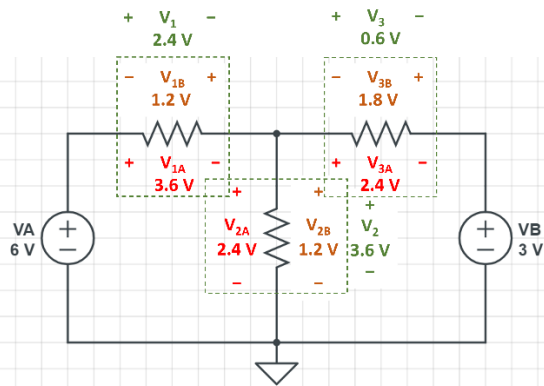
$$3 = 0.5V_{XB} + V_{XB} + V_{XB}$$

$$3 = 2.5V_{XB}$$

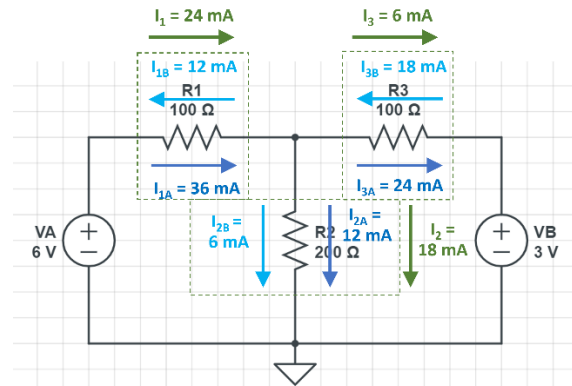
$$V_{XB} = \frac{3}{2.5} = 1.2 \text{ V}$$



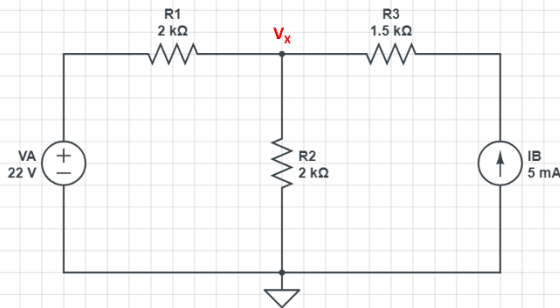
Combined voltage



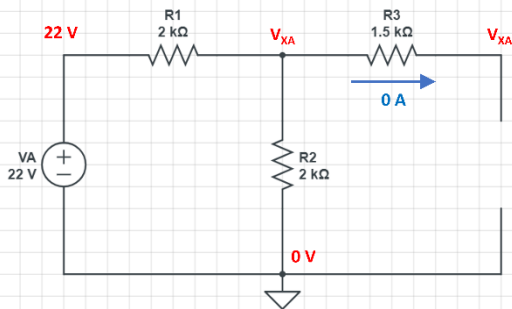
Combined current



2. Original circuit



Consider only VA



$$\frac{22 - V_{XA}}{2k} = \frac{V_{XA}}{2k} + 0$$

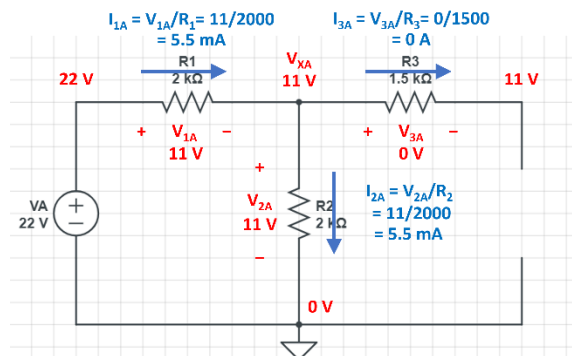
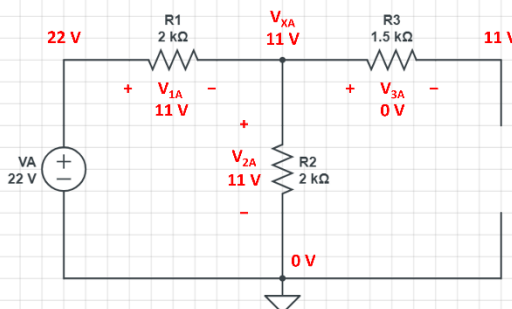
$$\frac{22 - V_{XA}}{2} = \frac{V_{XA}}{2}$$

$$11 - 0.5V_{XA} = 0.5V_{XA}$$

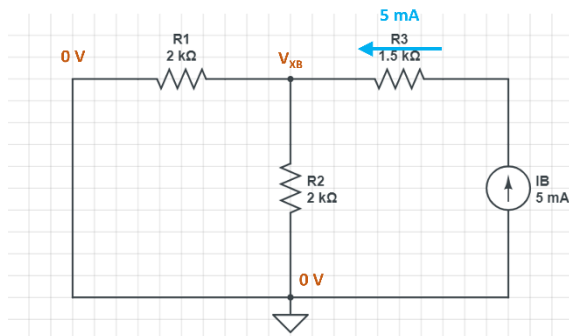
$$11 = 0.5V_{XA} + 0.5V_{XA}$$

$$11 = 1V_{XA}$$

$$V_{XA} = 11V$$



Consider only I_B



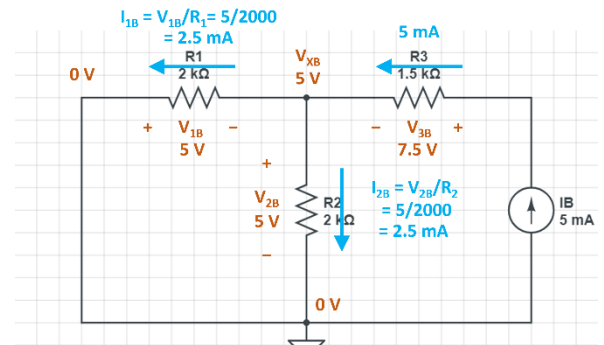
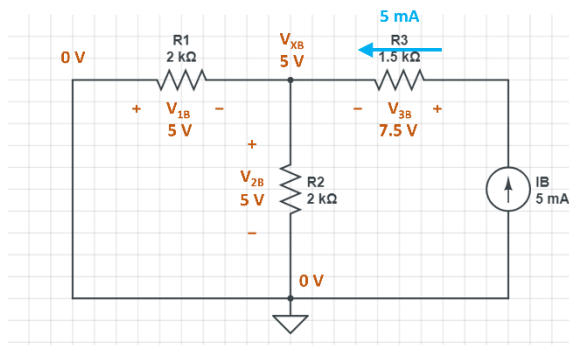
$$\frac{5}{1000} = \frac{V_{XB} - 0}{2000} + \frac{V_{XB} - 0}{2000}$$

$$\frac{5}{1} = \frac{V_{XB} - 0}{2} + \frac{V_{XB} - 0}{2}$$

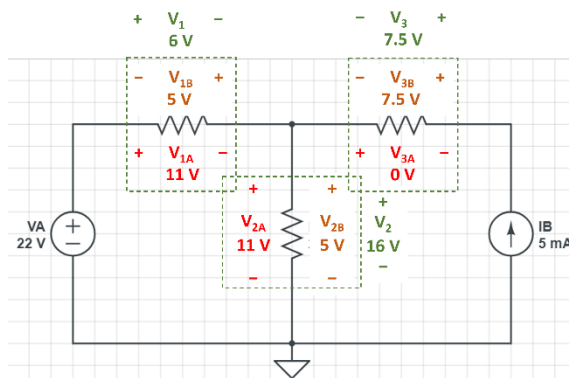
$$5 = 0.5V_{XB} + 0.5V_{XB}$$

$$5 = 1V_{XB}$$

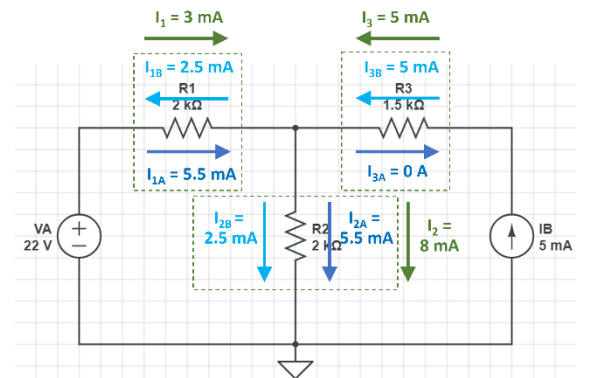
$$V_{XB} = 5V$$



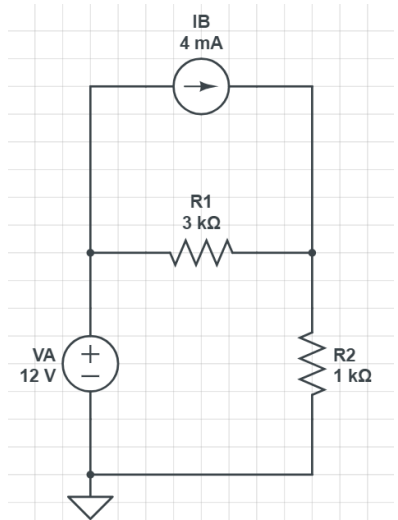
Combined voltage



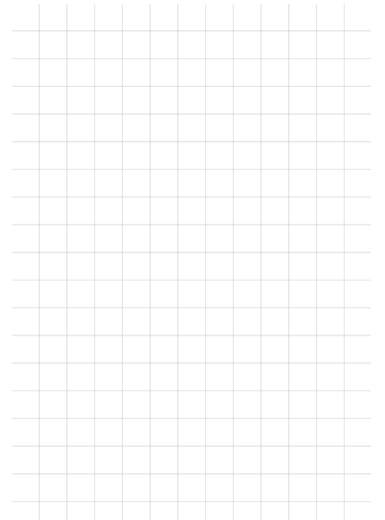
Combined current



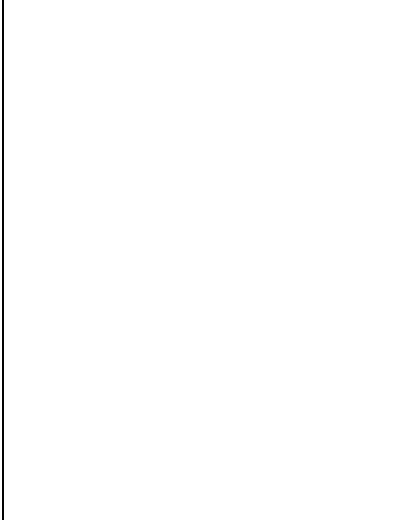
3. Original circuit



Consider only V_A



Find V_{XA}



Specify V_{1A} and V_{2A} on the circuit

Grid area for specifying V_{1A} and V_{2A} .

Specify I_{1A} and I_{2A} on the circuit

Grid area for specifying I_{1A} and I_{2A} .

Consider only I_B

Grid area for considering only I_B .

Find V_{XB}

Grid area for finding V_{XB} .

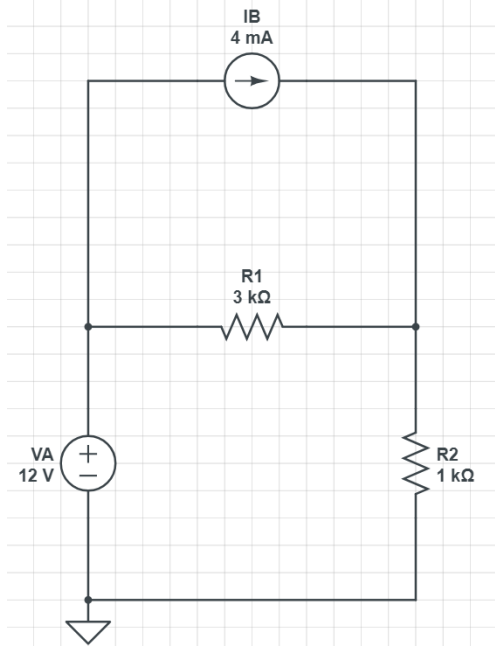
Specify V_{1B} and V_{2B} on the circuit

Grid area for specifying V_{1B} and V_{2B} .

Specify I_{1B} and I_{2B} on the circuit

Grid area for specifying I_{1B} and I_{2B} .

Combined voltage



Combined current

